



Extra I-Tap Specification Sheet

VIVREAU®



Extra I-Tap

- Two tap heights: 17 ¾ and 15 ½ inches
- HygienePlus solution: designed for environments where hygiene is of the utmost importance, and is optionally available for Vivreau Extra I-Tap.
- Vivreau's ThermalGate™ feature protects against retrograde contamination from external sources
- Sustainable: high energy efficiency and natural refrigerant R290, harmless to the climate
- Premium design solution with a modern control panel and high-quality materials such as stainless steel
- Easy Access Panel, available as an additional control unit that can be positioned at different heights, e.g. B. for wheelchair users



Installation Requirements:

Millwork

- Worktop cutout on page 5
- Fits into base cabinet with the following dimensions (W X H X D): 24 X 30 X 24 inch
- Tap height plus additional 4" clearance for operation
- Cabinet ventilation: cabinet requires two vents, one for exhaust and one for air intake. (page 8)

Plumbing

Water Connection

1 potable 1/2" cold water supply terminating in a 1/2" ball valve with a 1/2" female pipe thread.

Water Water Connection (optional):

1. Waste water pipe (optional):

trapped up stand to facilitate a 1/2" flexible pipe (customer supplied). Max. 6 1/2" left or right of the system

2. Waste water container (optional): available for purchase

Water Supply

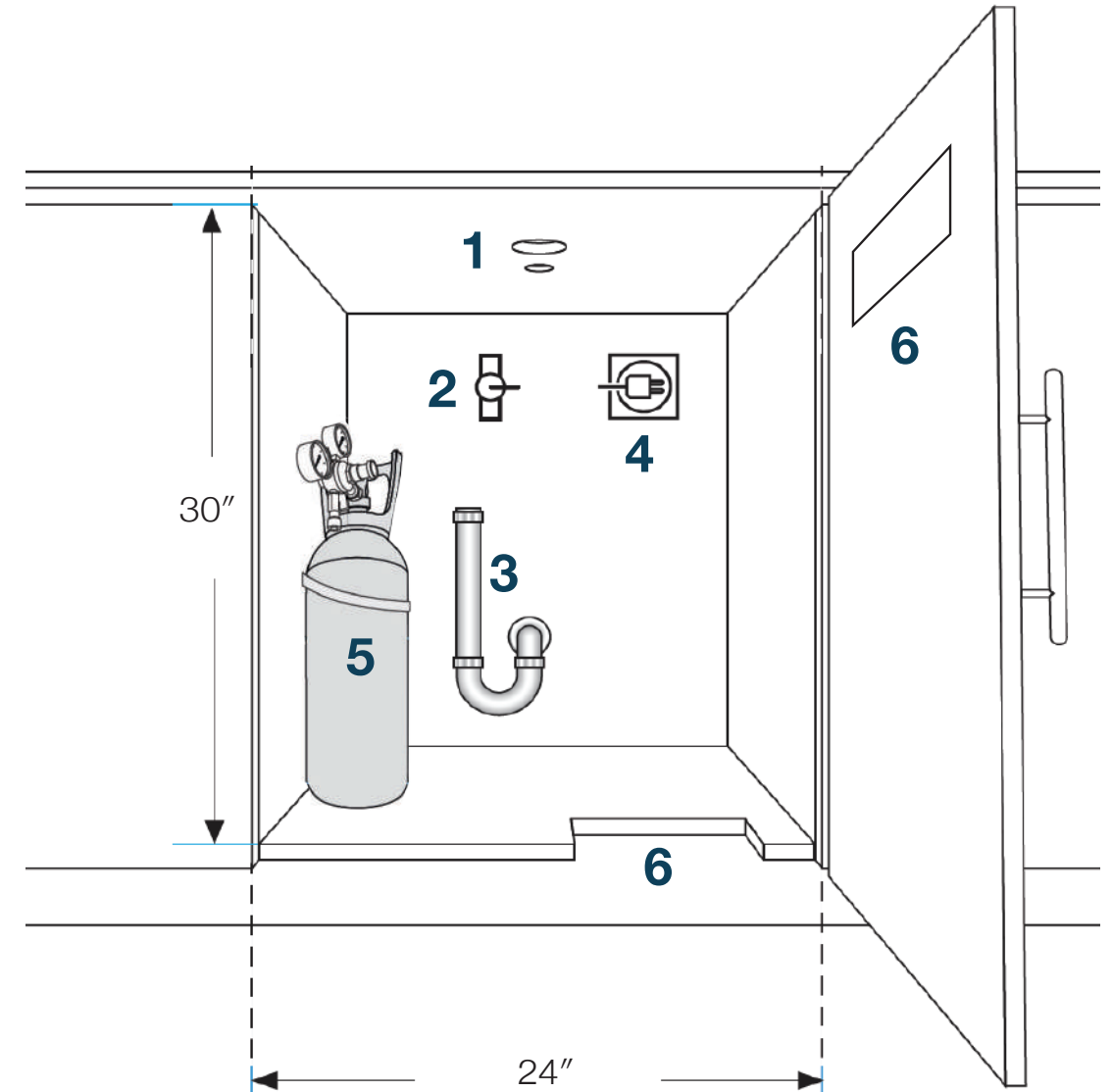
- Minimum water pressure 50 PSI
- Minimum water flow 80 Gallons per hour

Drip tray: Drain to connect 1/2" ID - 3/4" OD drip tray tube

Electrical

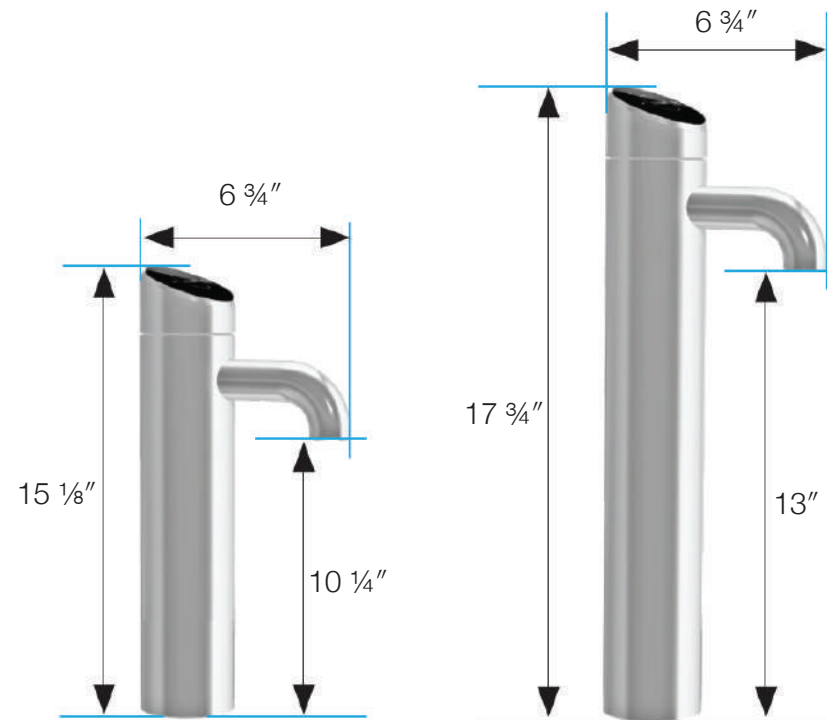
(1) 20amp electrical circuit GFCI recommended (NEMA 5-20R) 120V, 60Hz (11 amps)

CO2 (Customer supplied)

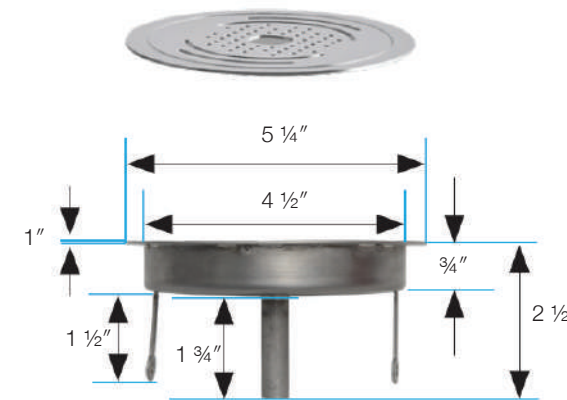


1. Millwork
2. Water Connection
3. Waste Water Connection (optional)
4. Electrical Connection
5. CO2 (customer supplied)
6. Ventilation (review page 8 for all approved methods of ventilation)

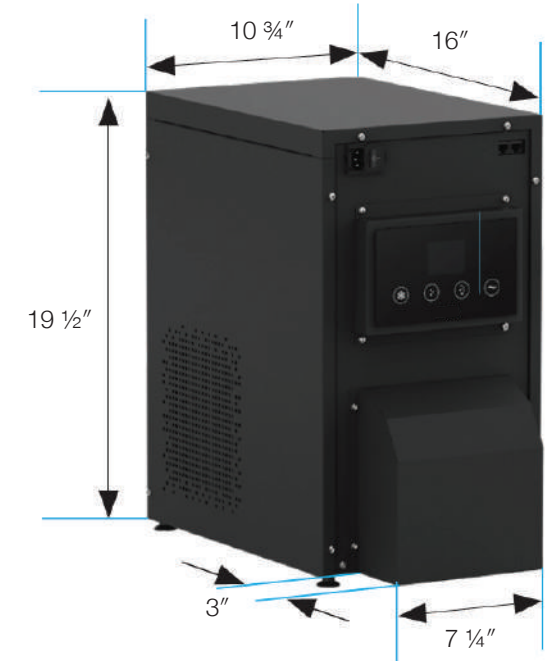
Equipment Dimensions



Short Tap and Tall Tap



Drip Tray (integrated)



Cooler-carbonator

Top Pro
Worktop Cutout

THIS DRAWING IS NOT TO SCALE

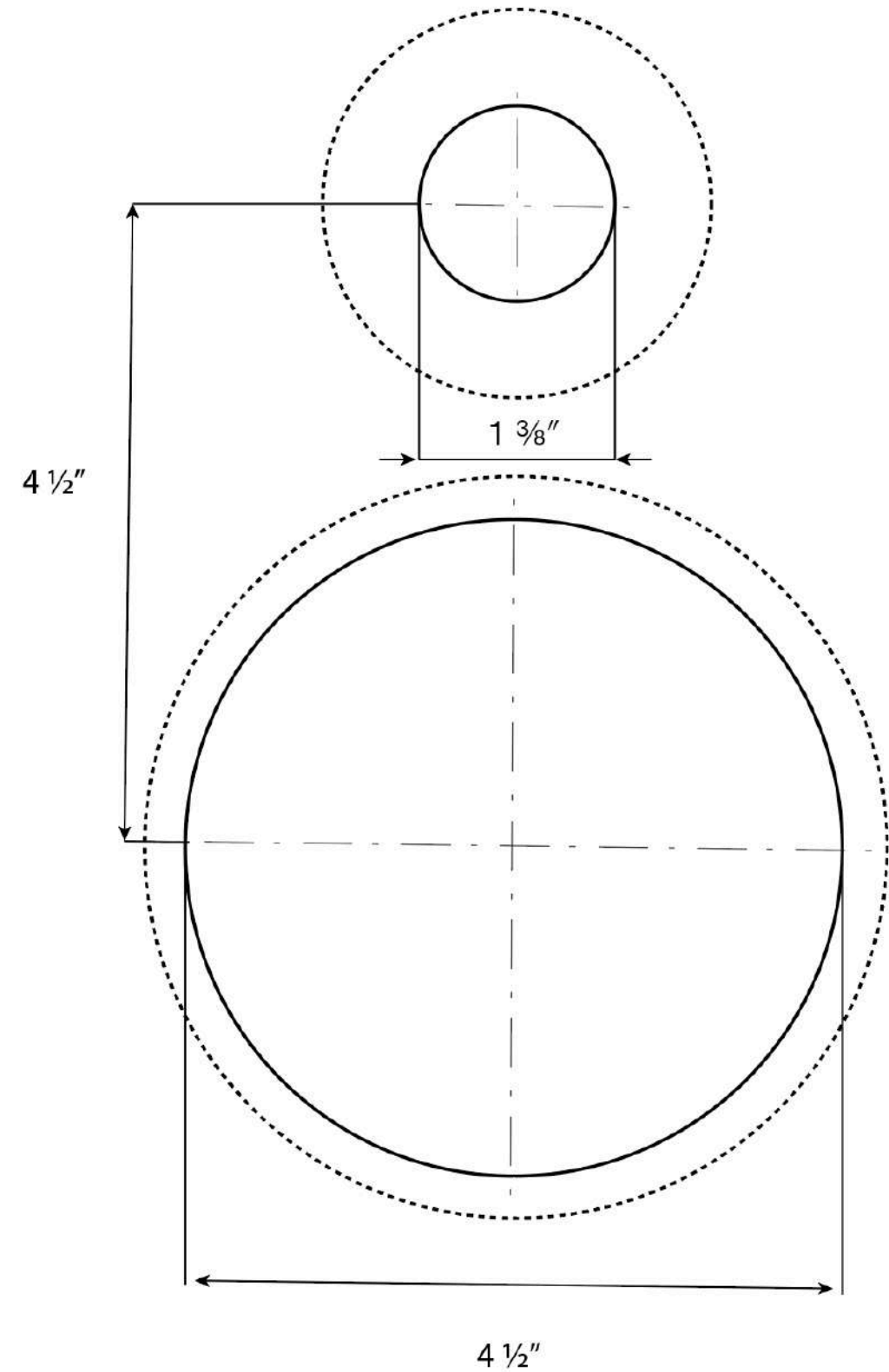


Figure 1: Installation Requirements

- 1 Water Connection
- 2 Electrical Connection
- 3 Waste Water Connection (optional)
- 4 CO2 (customer supplied)
- 5 Ventilation
- 6 Countertop cutouts for tap

Figure 2: Arrangement and Dimensions

- a. Dispensing Tap
- b. Integrated Drip Tray
- c. Cooler Carbonator CO2 Tank
- d. CO2 Tank
- e. CO2 Pressure Regulator
- f. Filter
- g. Optional Waste Water Container

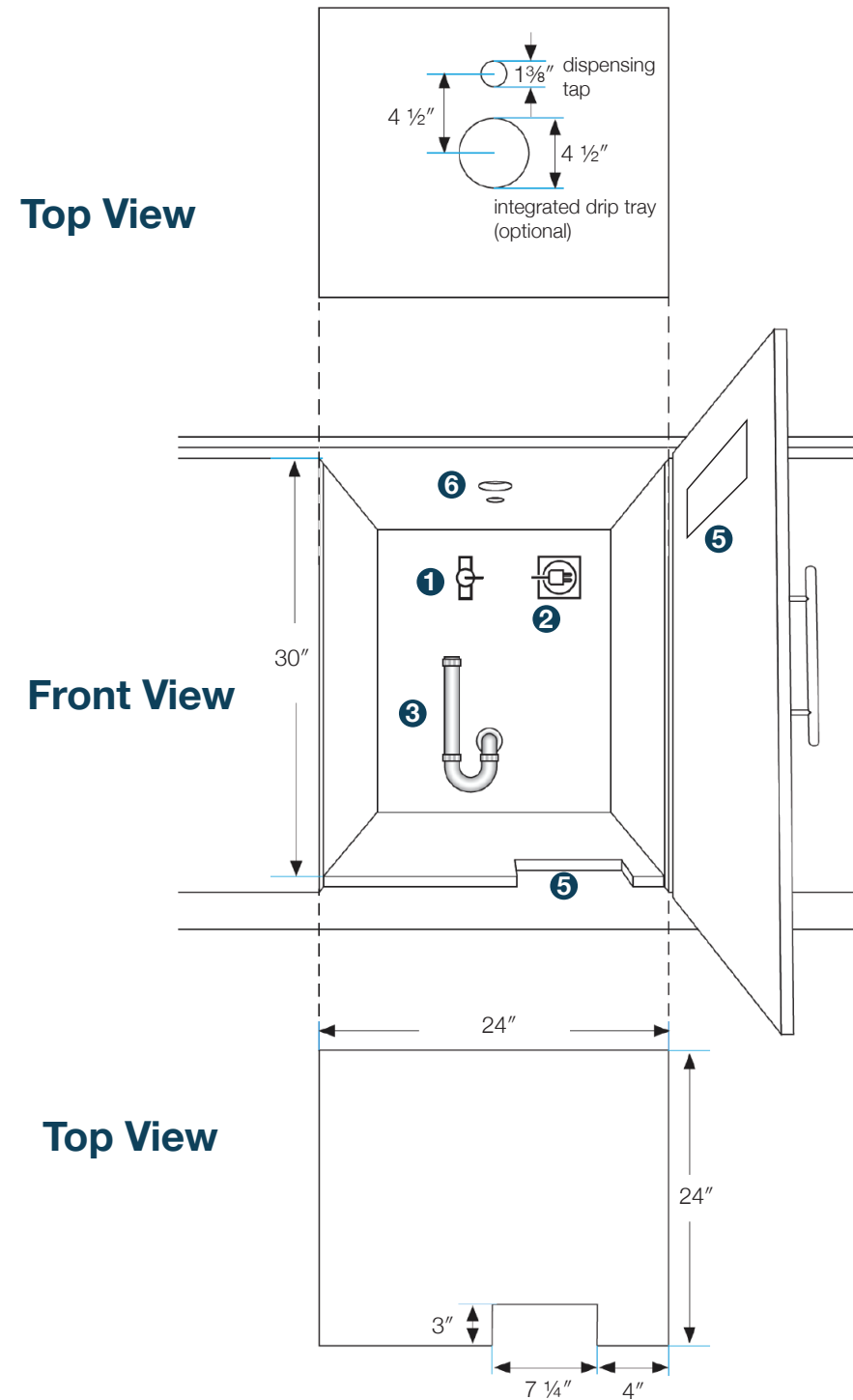


Figure 1

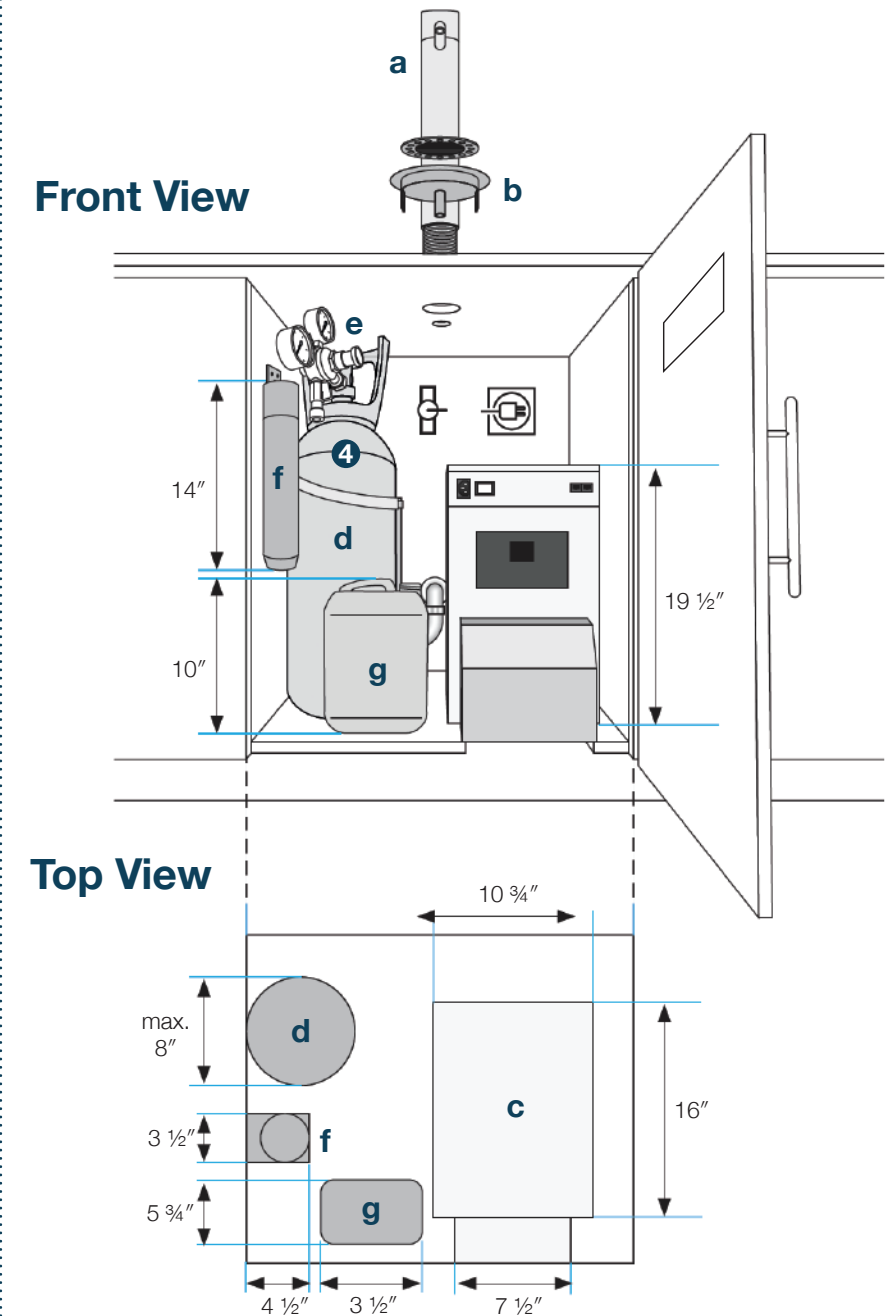
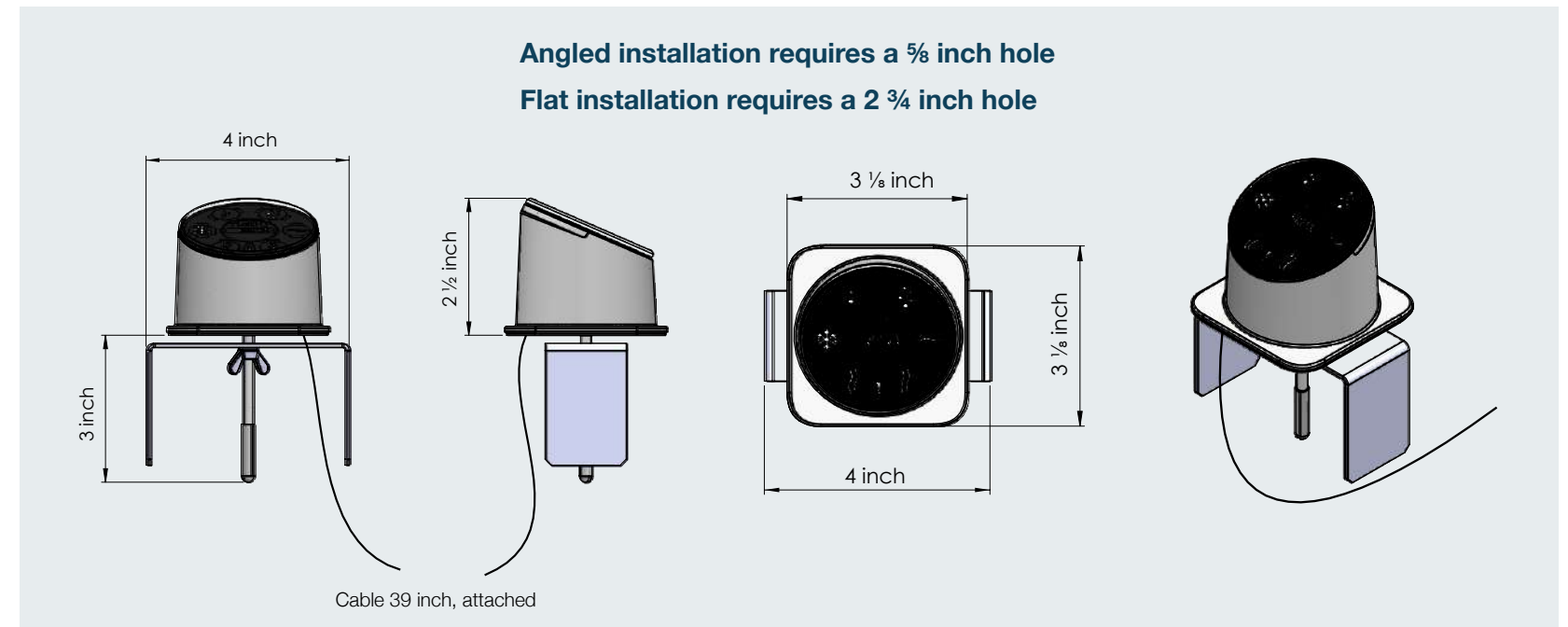


Figure 2

Easy Access Panel – Optional

Two installation options:

- Angled
- Flat: on countertop / Flat: on cabinet front



Approved Methods of Cabinet Ventilation

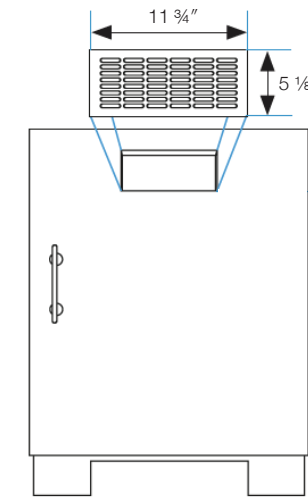
The cabinet requires **two vents**, one for exhaust and one for air intake.

The exhaust is on the front of the chiller and comes standard with a shroud that forces the hot air down.

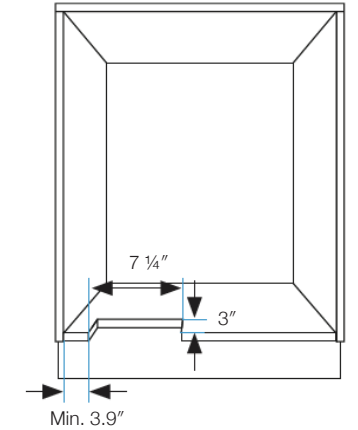
If the base cutout is not possible the shroud can be replaced with an optional air guide plate that pushes the air forward requiring a matching cut out in the door.

The intake requires a 24 square inch opening to let fresh air in a free and unobstructed area.

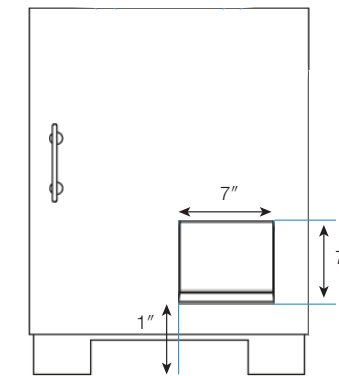
Choose one of these Intake methods:



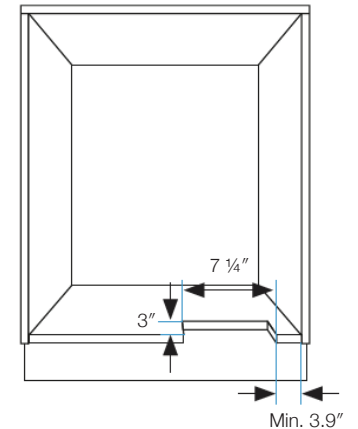
or



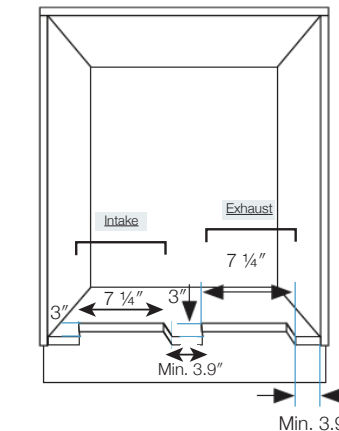
Choose one of these Exhaust methods:



or



Dual Base Cut out
– incorporates both exhaust and intake:





VIVREAU[®]

ADVANCED WATER SYSTEMS

Contact Info

Phone Number:

+1 877 999 1044

Email:

InfoUSA@vivreau.com

InfoCanada@vivreau.com

Or visit vivreauwater.com