



Top Pro Specification Sheet

VIVREAU®



Top Pro

Countertop or Floorstanding

- Two installation options: Countertop or Floorstanding
- HygienePlus solution: designed for environments where hygiene is of the utmost importance, and is optionally available for Vivreau Top Pro.
- Vivreau's ThermalGate™ feature protects against retrograde contamination from external sources
- Sustainable: high energy efficiency and natural refrigerant R290, harmless to the climate
- Intuitive display choice of touch or mechanical buttons to select water type
- Easy Access Panel, available as an additional control unit that can be positioned at different heights, e.g. B. for wheelchair users
- Easy to use: water in 2 individually adjustable portion sizes



Installation Requirements:

Millwork

Worktop cutout on page 6

Plumbing

Water Connection



1 potable 1/2" cold water supply terminating in a 1/2" ball valve with a 1/2" female pipe thread.

NOTE: Please ensure that there is sufficient room for a 12" long fitting to be connected to the shut-off valve

System has an integrated drip tray that does not require a drain*

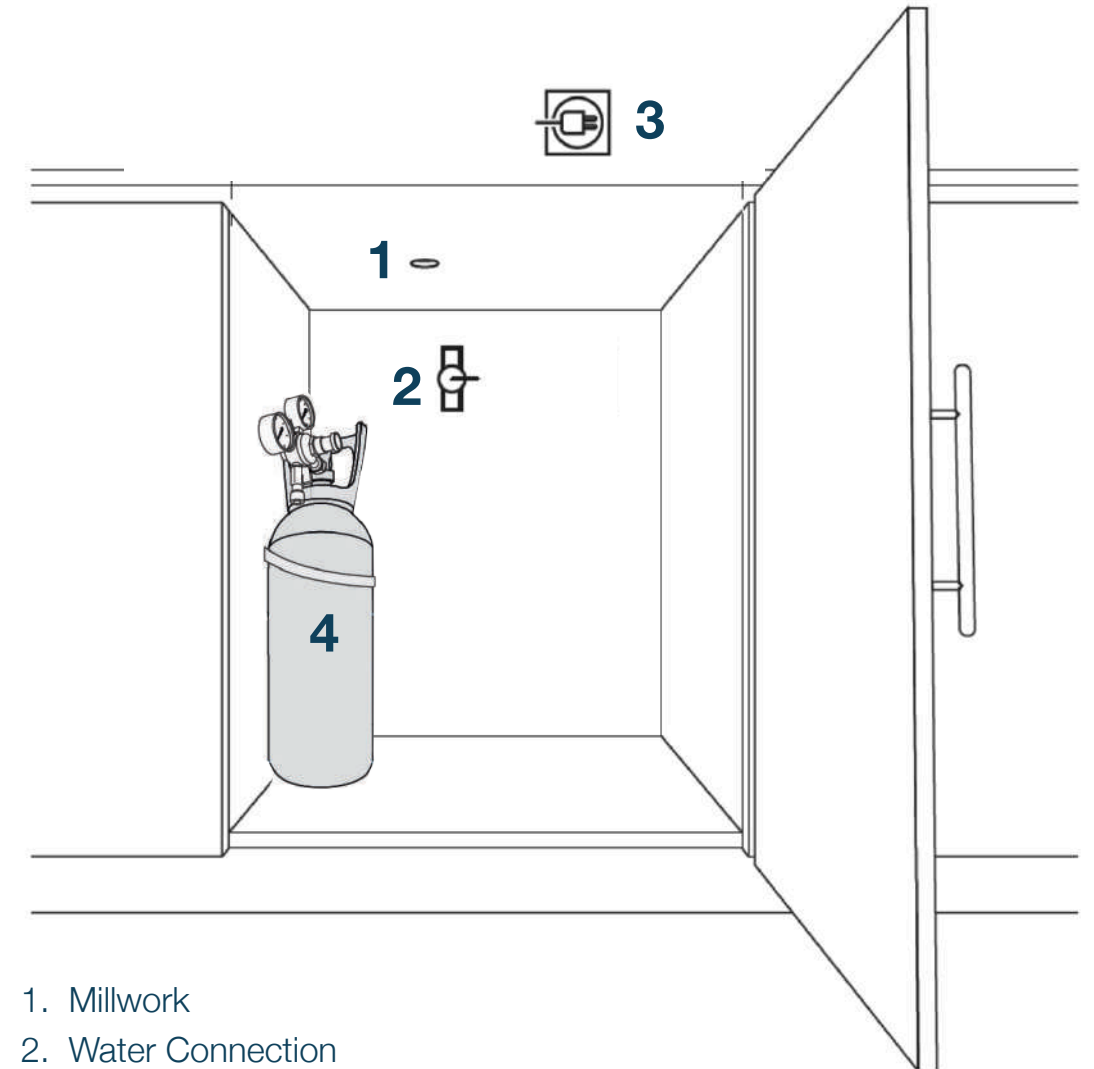
Water Supply

- Minimum water pressure 50 PSI
- Minimum water flow 80 Gallons per hour

Electrical

(1) 20amp electrical circuit GFCI recommended (NEMA 5-20R) 120V, 60Hz (8 amps)

CO2 (Customer supplied)

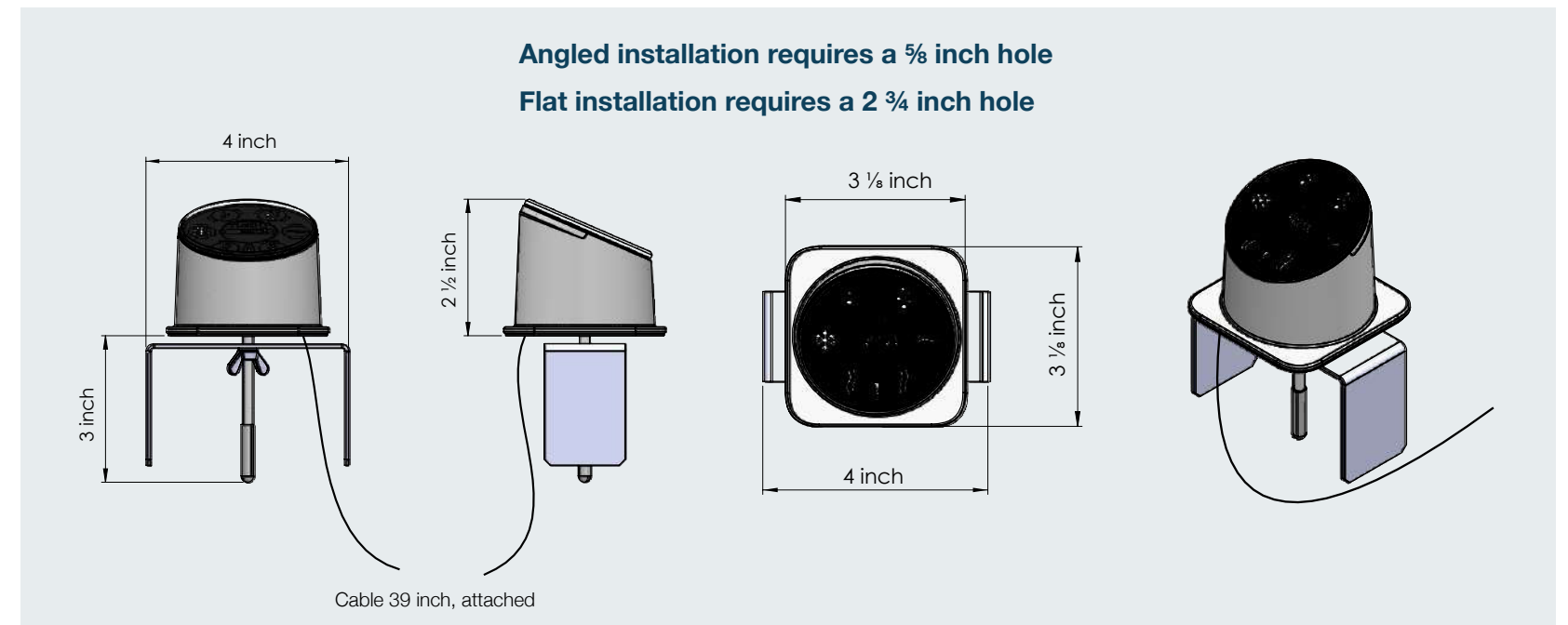


1. Millwork
2. Water Connection
3. Electrical Connection
4. CO2 (customer supplied)

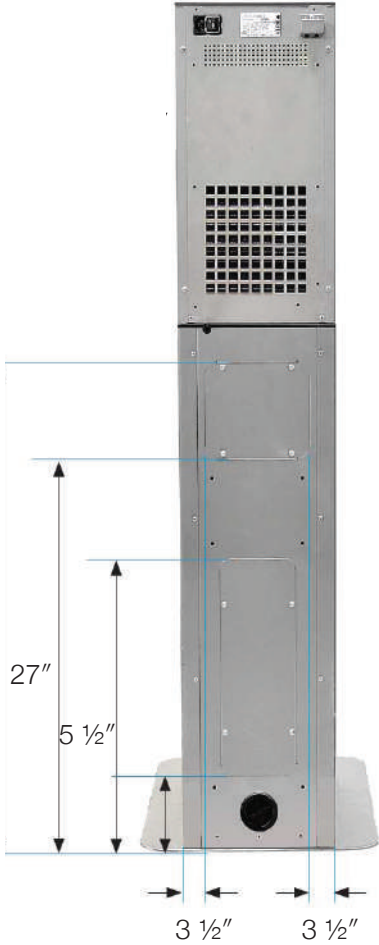
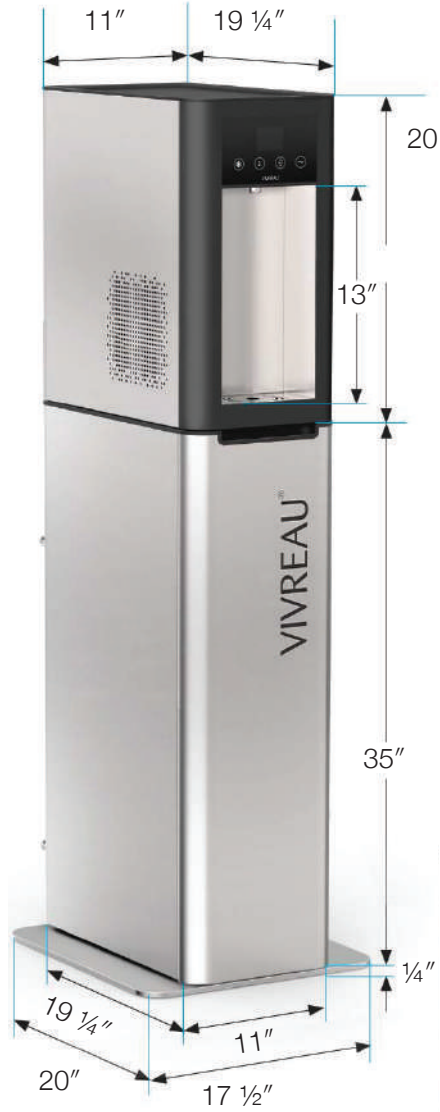
Easy Access Panel – Optional

Two installation options:

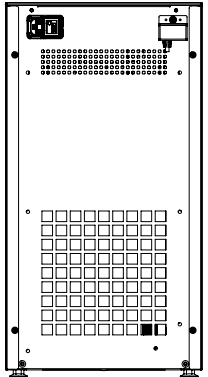
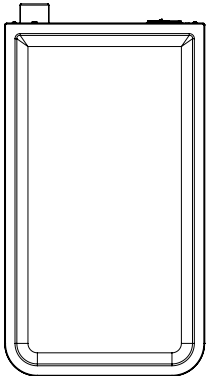
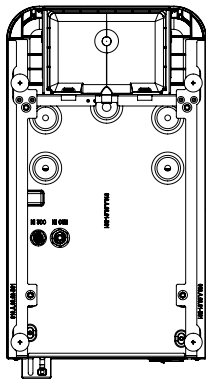
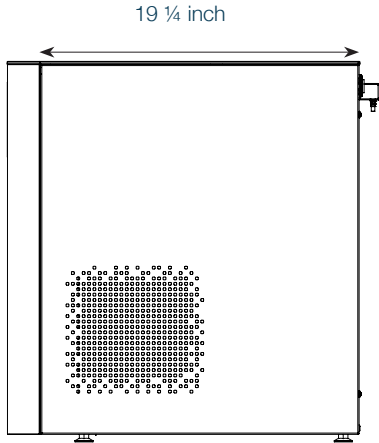
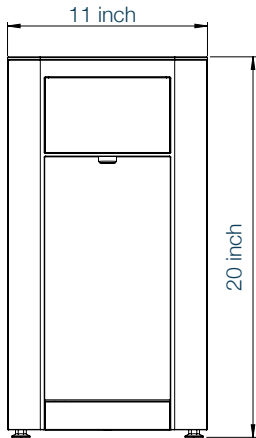
- Angled
- Flat: on countertop / Flat: on cabinet front



Top Pro Floorstanding

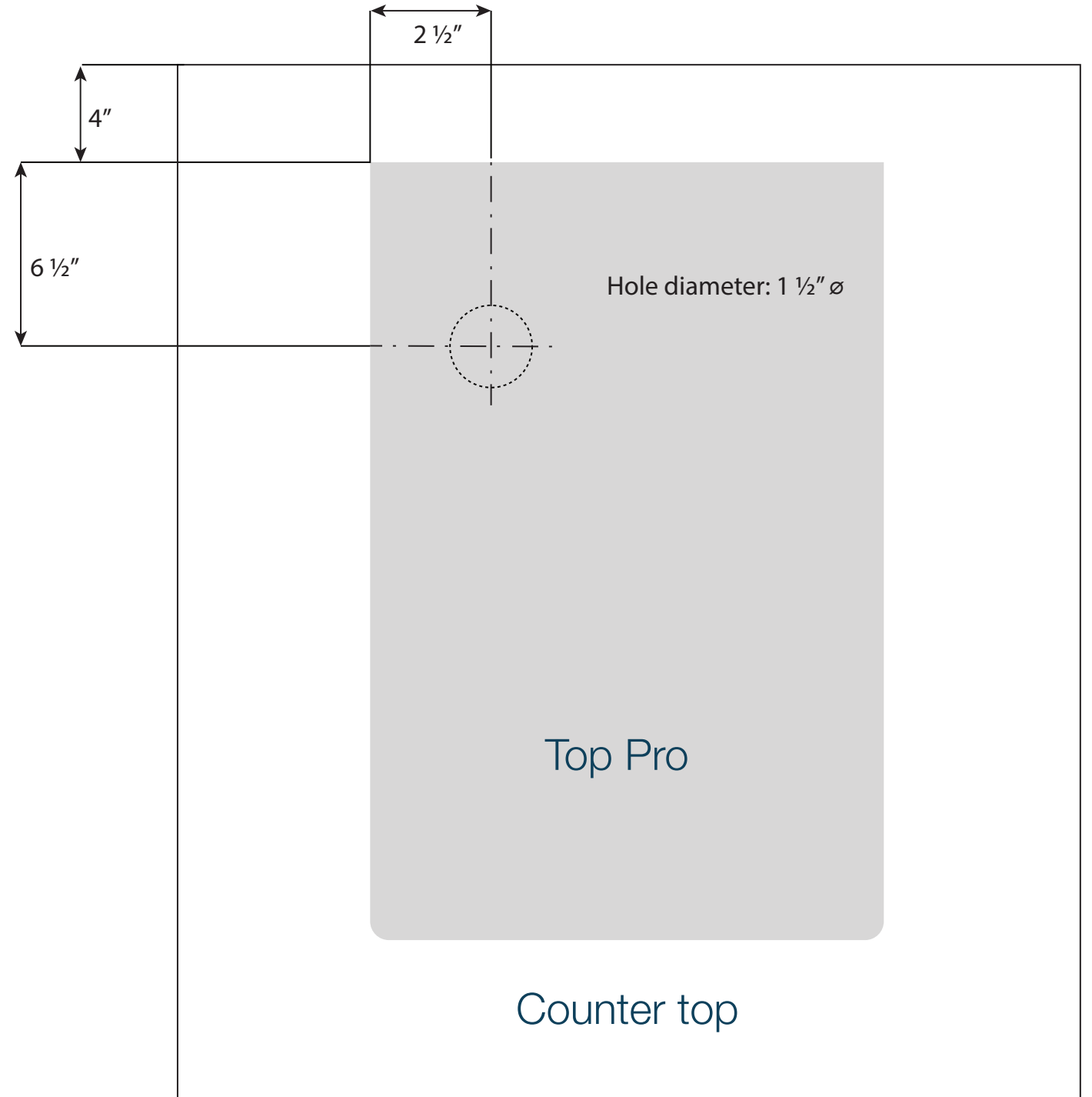


Top Pro Countertop



Top Pro
Worktop Cutout

THIS DRAWING IS NOT TO SCALE



Top Pro Countertop

Figure 1: Installation Requirements

- 1 Water Connection
- 2 Electrical Connection
- 3 CO2 (customer supplied)
- 4 Countertop cutout for tap
- 5 Waste Water Connection (optional)

Figure 2: Arrangement and Dimensions

- a. Vivreau Top Pro
- b. CO2 Tank
- c. CO2 Pressure Regulator
- d. Filter
- e. Waste Water Container (optional)

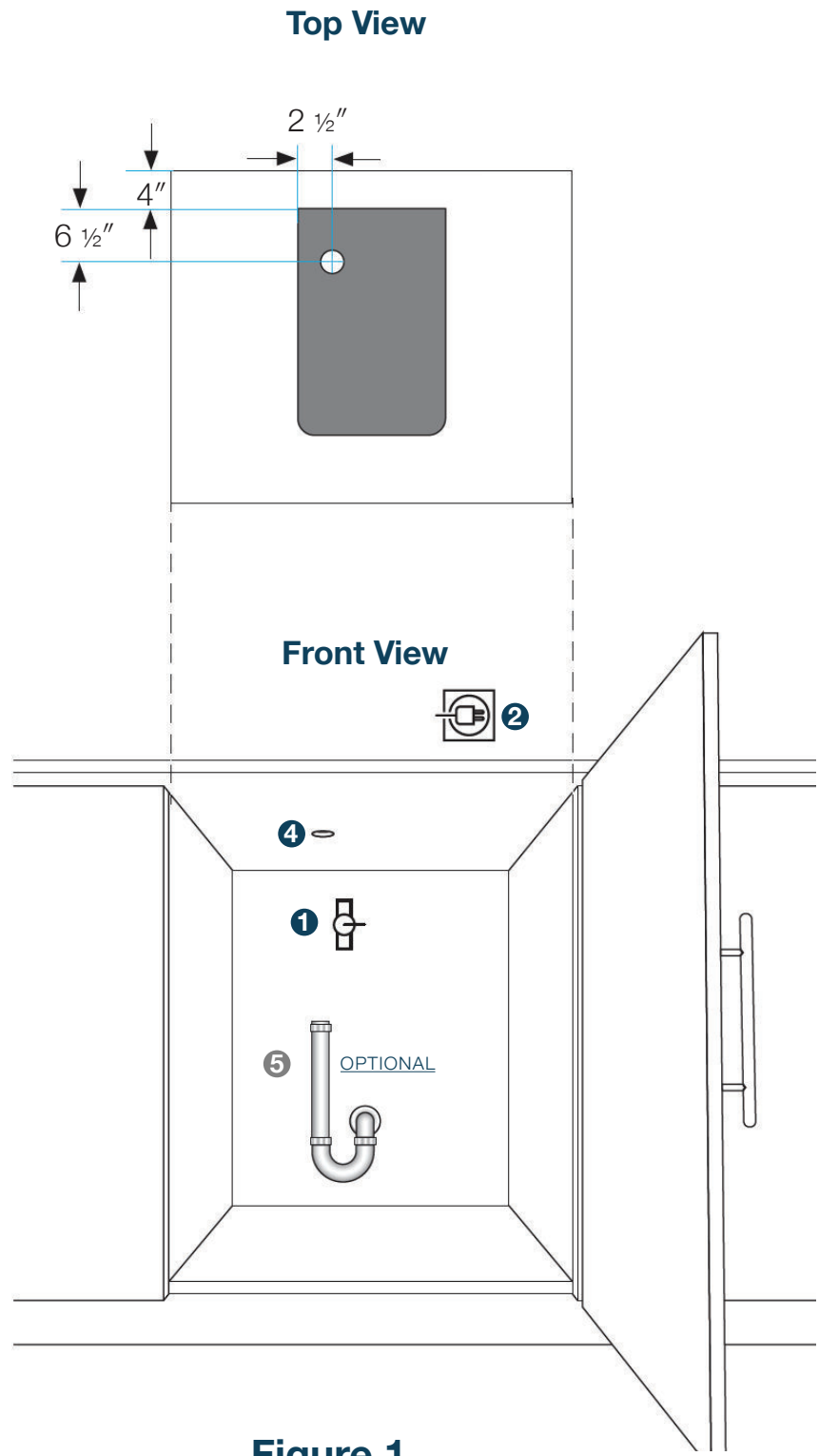


Figure 1

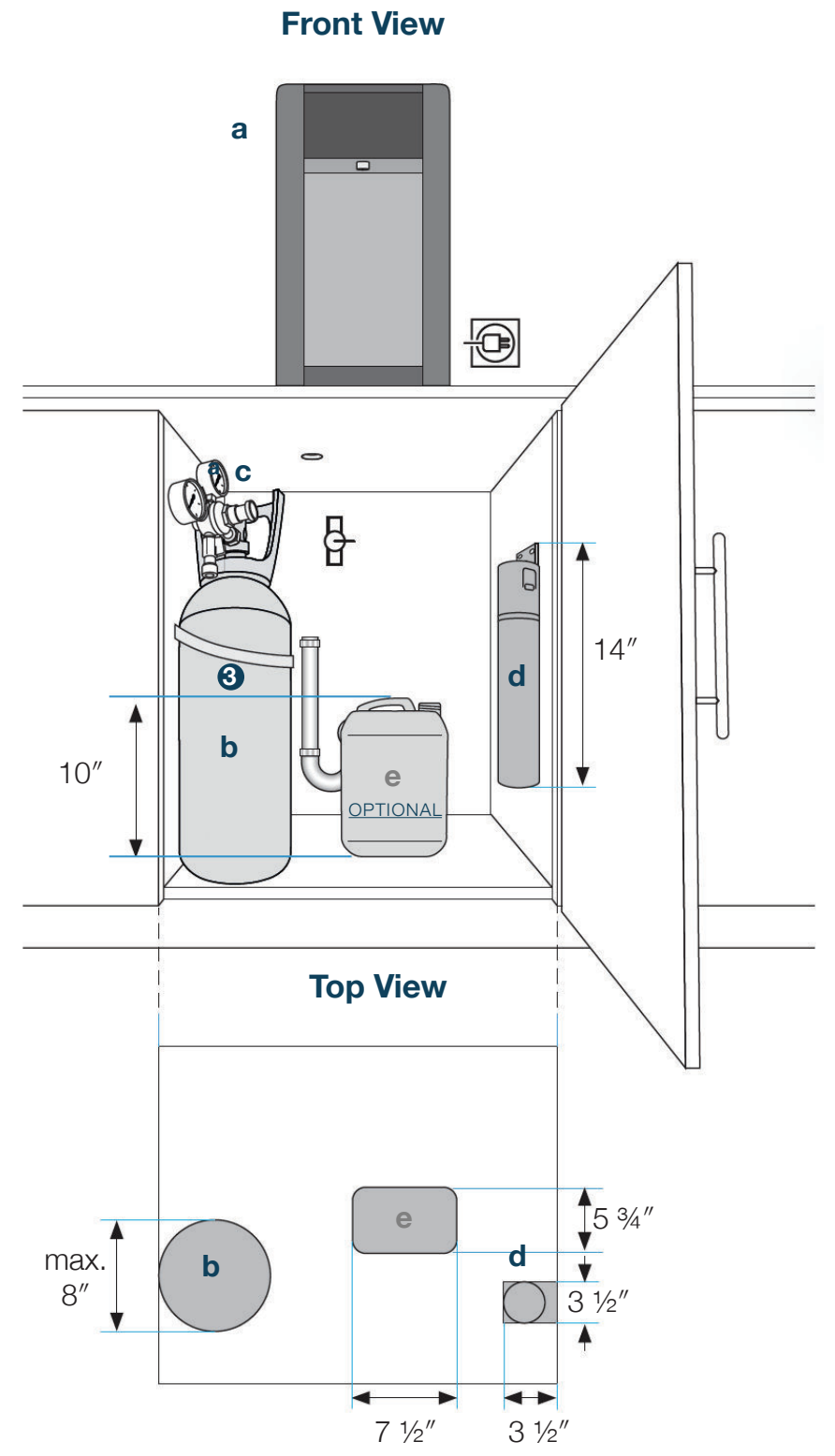


Figure 2

Top Pro with Base Cabinet

Figure 1: Installation Requirements

- 1 Water Connection
- 2 Electrical Connection
- 3 CO2 (customer supplied)

- 4 Waste Water Connection (optional)

Figure 2: Arrangement

- a. Vivreau Top Pro Base Cabinet
- b. CO2 Tank
- c. CO2 Pressure Regulator
- d. Filter

- e. Waste Water Container (optional)

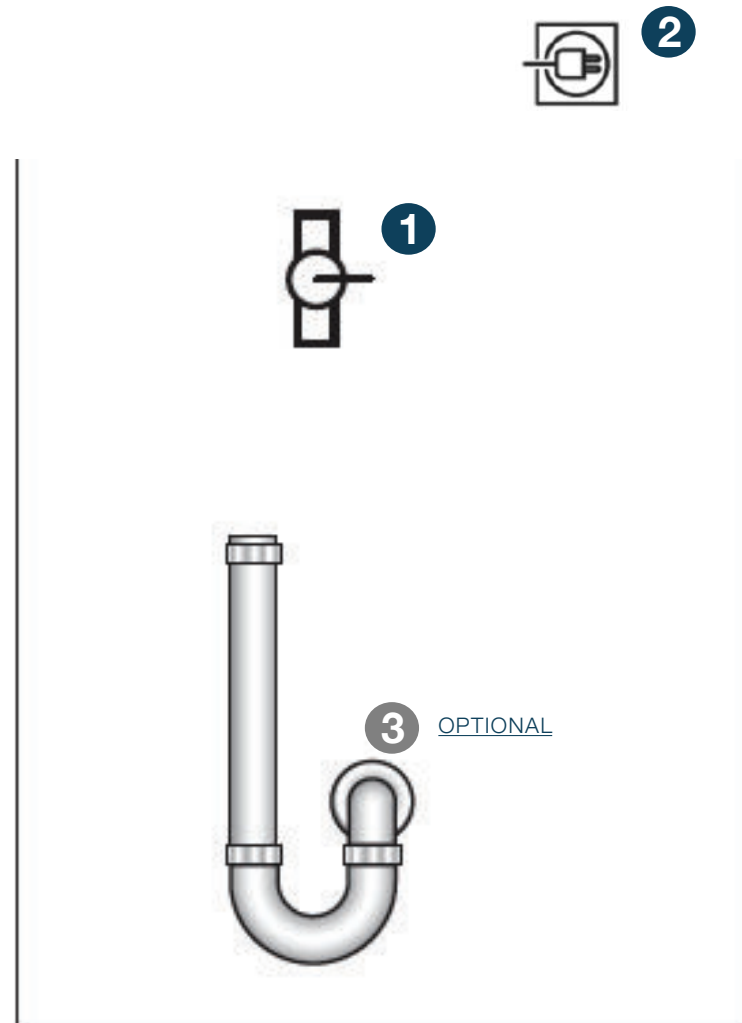


Figure 1

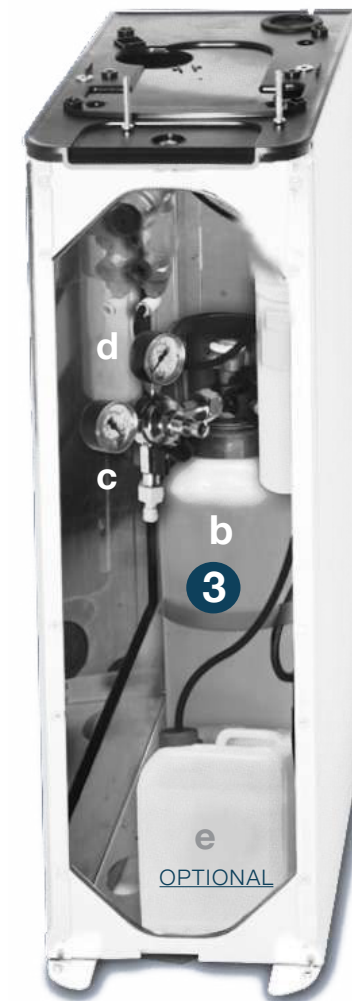


Figure 2



VIVREAU[®]

ADVANCED WATER SYSTEMS

Contact Info

Phone Number:

+1 877 999 1044

Email:

InfoUSA@vivreau.com

InfoCanada@vivreau.com

Or visit vivreauwater.com